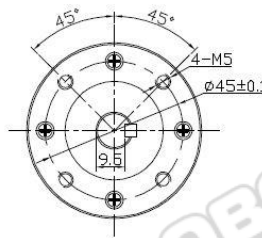
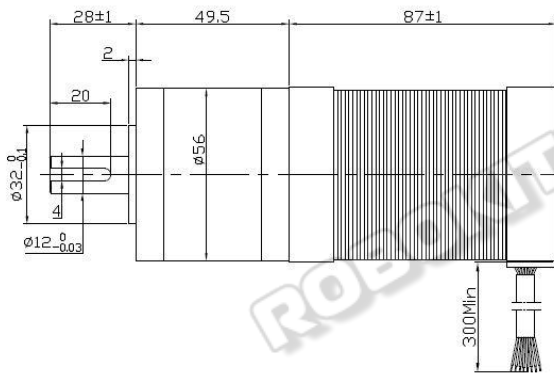


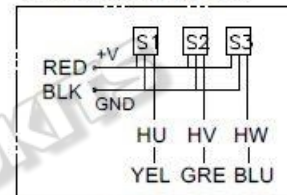
Model Number
RMCS-2070

NEMA23 PLANETARY GEARED BLDC MOTOR 35KGCM
230RPM 100W

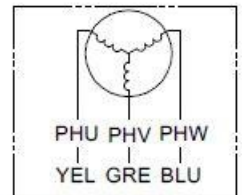
Mechanical Drawing (Dimensions are in mm)



Connection diagram:



Hall sensor cable
Note: hall sensor power supply voltage +5 to +20VDC



Wiring cable

Motor Specifications

Motor Type	Planetary Geared BLDC
Operating Voltage	24V DC
Motor Speed At Output Shaft (RPM)	230 RPM
Gear Ratio	1:13
Rated Torque (Kgcm)	35 Kgcm
Shaft Dia	12 mm
Weight	2.0 Kg

Base Motor Specifications

Electrical Connections

Base Motor Specifications		Electrical Connections	
Number Of Poles	4	+5V	RED
Phase To phase resistance	0.44 Ohms	Hall U	YEL
Nominal Voltage	24V DC	Hall V	GRE
No Load Speed	3800 Rpm	Hall W	BLU
No Load Current	1 Amps Max	GND	BLK
Rated Torque	0.33 N-m	Phase	YEL
Rated Speed	3000 RPM	Phase V	GRE
Output Power	103W	Phase W	BLU
Back EMF Constant	6.3 V/K RPM		
Torque Constant	0.06 N-m/A		
Insulation Class	B		



RHINO